

ISL95816EVAL7Z Evaluation Board User Guide

Hardware Description

The ISL95816EVAL7Z evaluation board demonstrates the performance of the ISL95816, ISL95816A 4-phase voltage regulators for Intel VR12.5 and VR12.6 CPUs. The ISL95816, ISL95816A feature Intersil's Robust Ripple Regulator R3 Technology™. An on-board dynamic-load generator is included for evaluating the transient-load response. It applies a 300µs pulse of approximately 0.05Ω/0.1Ω load across V_{CORE} and PGND.

Contents of this document include:

- Design criteria
- Recommended test equipment
- Interface connections
- Switch descriptions
- Evaluation board photograph
- Jumper and connector descriptions
- Test point descriptions
- Evaluation board documentation
 - Bill of materials
 - Schematic
 - Silk-screen plots
 - Board layer plots

TABLE 1. DC/DC DESIGN CRITERIA

PARAMETER	VALUE	UNITS
V _{IN}	12	VDC
V _O	0 - 2.3	VDC
Full-load	100	ADC
PWM Frequency	280	kHz

Recommended Equipment

- (Qty. 1) Adjustable 20V, 15A power supply (for V_{IN})
- (Qty. 1) Fixed 5V, 100mA power supply (for VDD)
- (Qty. 1) Fixed 12V, 100mA power supply (for the dynamic load generator)
- (Qty. 1) Adjustable constant current electronic load
- (Qty. 1) Digital voltmeter
- (Qty. 1) Four-channel oscilloscope

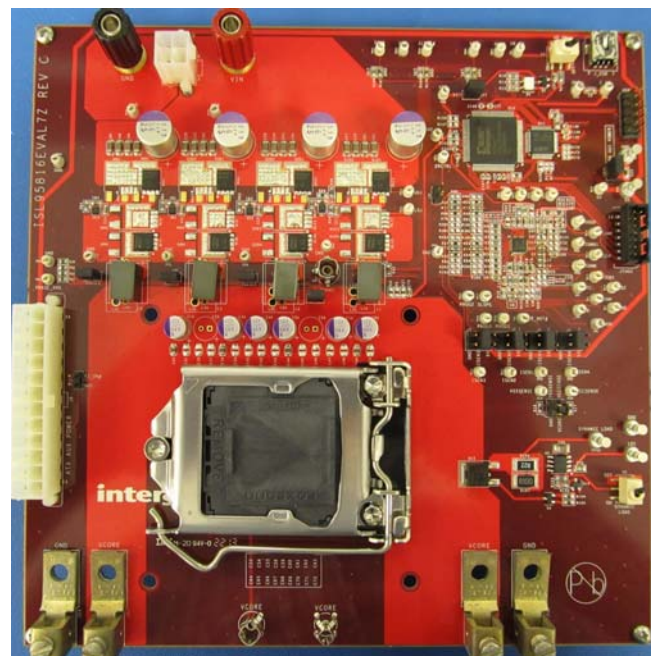
Interface Connections

- V_{IN}: input voltage to the power stage
 - J5: V_{IN} positive power input
 - TP18: V_{IN} positive voltage sense
 - J6: V_{IN} return power input
 - TP32: V_{IN} return voltage sense
- CPU V_{CORE}: CORE regulated output voltage
 - J11 and J12: V_{CORE} positive power output
 - J13 and J14: V_{CORE} return power output
- +5V: +5V input voltage
 - TP29: +5V positive input
 - TP30: +5V return input
- +12V: input voltage for the dynamic-load generator
 - TP3: 12V positive input
 - TP2: 12V return input

Switch Descriptions

- S3: Enable
 - OFF: Short the VR_ON pin to GND (disable PWM)
 - ON: Allow the VR_ON pin to pull-up to +5V (enable PWM)
- S2: Dynamic Load for CPU
 - OFF: On-board dynamic load disabled
 - ON: On-board dynamic load enabled

Evaluation Board Photograph



Jumper and Connector Descriptions

In the following sections, jumpers, connectors, and test points are ordered by reference designator. Items with related functions may be grouped by color.

- **JUSB:** USB cable connection, for running the Intersil SVID control software
- **JHDR2:** Required for programming the USB-to-SVID interface
- **JTAG1:** Required for programming the USB-to-SVID interface
- **J1:** Set ISEN1 connection. Connect ISEN1 to driver (the middle jumper) for 1-, 2-, 3-, or 4-phase operation
- **J2:** Set ISEN2 connection. Connect ISEN2 to driver (the middle jumper) for 2-, 3-, or 4-phase operation. If ISEN2 is connected to +5V, phase-2 (and phase-3 and phase-4) will be disabled.
- **J3:** Set ISEN3 connection. Connect ISEN3 to driver (the middle jumper) for 3-, or 4-phase operation. If ISEN3 is connected to +5V, phase-3 (and phase-4) will be disabled.
- **J4:** Set ISEN4 connection. Connect ISEN4 to driver (the middle jumper) for 4-phase operation. If ISEN4 is connected to +5V, phase-4 will be disabled.
- **J5:** VIN banana receptacle (red)
- **J6:** VIN return (ground) banana receptacle (black)
- **J7:** ATX 12V connector
- **J8:** ATX AUX POWER connector
- **J11:** VCORE screw lug, for external load connection
- **J12:** VCORE screw lug, for external load connection
- **J13:** Ground screw lug, for external load connection
- **J14:** Ground screw lug, for external load connection
- **JP16:** If the jumper is installed, the +5V rail supplies the +3.3V, +2.5V, 1.2V rails to the auxiliary circuit on the board. When measuring board efficiency, remove the jumper and apply +3.3V to TP37.
- **J17:** Set VTT connection. Installing J17 connects the VTT network to 1.05V regulator U8.
- **J18:** Install the jumper to include Phase 1 in the PHASE_AVG resistive sum test point. With the jumper removed, the pin closest to L1 can be used as a Phase 1 test point.
- **J19:** Install the jumper to include Phase 2 in the PHASE_AVG resistive sum test point. With the jumper removed, the pin closest to L2 can be used as a Phase 2 test point.
- **J20:** Install the jumper to include Phase 3 in the PHASE_AVG resistive sum test point. With the jumper removed, the pin closest to L3 can be used as a Phase 3 test point.
- **J21:** Install the jumper to include Phase 4 in the PHASE_AVG resistive sum test point. With the jumper removed, the pin closest to L4 can be used as a Phase 4 test point.
- **J23:** ATX AUX POWER PS_ON# grounding jumper

Test Point Descriptions

TEST POINT	DESCRIPTION
TP1	VR_ON, active high
TP2	VIN return (ground) for 12V dynamic load supply
TP3	VIN for 12V dynamic load supply
TP4	COMP pin. This is the voltage feedback error amplifier output, which is the input to the R3 Modulator™.
TP5	Ground
TP6	FB pin
TP7	VR temperature sense NTC pin
TP8	VR_HOT#, open-drain temperature fault output pin, pulled up to VTT
TP9	IMON pin, DC output current monitor and programming
TP10	ISEN1 pin, phase 1 current balance input
TP11	ISEN2 pin, phase 2 current balance input
TP12	ISEN3 pin, phase 3 current balance input
TP13	PGOOD pin, open-drain voltage good status output, pulled up to +3.3V
TP14	VSEN, kelvin sense of the output voltage at the load (the U2 Interposer), also response pin for loop transfer function testing.
TP15	VSEN1, kelvin sense of the output voltage at the load (the U2 Interposer), also excitation pin for loop transfer function testing.
TP16	+5V, VDD (and optional 5V driver) supply sense pin
TP17	3.3V return (ground) sense
TP18	VIN (12VDC) supply test point
TP19	ISUMP pin, part of the output current sense mechanism
TP20	ISUMN, part of the output current sense mechanism
TP21	ISUMN1, on the ISUMN pin, part of the output current sense mechanism
TP22	ISEN4 pin, phase 4 current balance input
TP23	UG1, phase 1 upper FET gate signal
TP24	PROG1 pin
TP25	PROG2 pin
TP26	PROG3 pin
TP27	SLOPE compensation pin
TP28	FB2 pin

Application Note 1898

Test Point Descriptions (Continued)

TEST POINT	DESCRIPTION
TP29	+5V supply input connection post. Clip +5V VDD (and optionally +5V driver) supply to this post.
TP30	+5V supply return (ground) input connection post. Clip the ground return connection for VDD (and optionally +5V driver) supply to this post.
TP31	DRCTRL pin
TP32	PGND sense, VIN return (ground) sense point
TP33	LG1, phase 1 lower FET gate signal
TP35	VCCSENSE, kelvin sense of the output voltage at the load.
TP36	VSSSENSE, kelvin sense of the output voltage return (ground) at the load.
TP37	3.3V rail, output of U9 LDO
TP38	VTT, 1.05V rail, output of U8 LDO
TP39	ALERT#, open drain SVID bus signal
TP40	SDA, SVID bus data signal
TP41	SCK, SVID bus clock signal
TP42	Ground
TP43	Ground
TP44	Ground
TP45	PHASE_AVG, the resistive summation of the (jumper installed) phase signals
TP46	Ground
TP47	Ground
TP48	Ground
TP50	Ground
TP52	Ground
TP53	Ground
TP54	Ground
TP55	Dynamic load current sense
TPW1	PWM1
TPW2	PWM2
TPW3	PWM3
TPW4	PWM4
J9	VCORE Oscilloscope grounded-barrel probe connection, for small barrel probes
J10	VCORE Oscilloscope grounded-barrel probe connection, for small barrel probes
J15	PHASE1 Oscilloscope grounded-barrel probe connection, for large barrel probes

Test Point Descriptions (Continued)

TEST POINT	DESCRIPTION
J22	4-pin differential-probe VCORE test point. These four pins are arranged to permit differential voltage sensing (with pin-insertion socket diff-probes on 0.1" centers) of (a) VCCSENSE-VSSSENSE; (b) VCORE-GND; (c) VSSSENSE-GND; and (d) VCCSENSE-VCORE. Pins are labeled in the silk-screen.
J18	PHASE1 test point (pin nearest L1). This is also part of the PHASE_AVG test point jumper network.
J19	PHASE2 test point (pin nearest L2). This is also part of the PHASE_AVG test point jumper network.
J20	PHASE3 test point (pin nearest L3). This is also part of the PHASE_AVG test point jumper network.
J21	PHASE4 test point (pin nearest L4). This is also part of the PHASE_AVG test point jumper network.

Application Note 1898

Bill of Materials

QTY	REFERENCE DESIGNATOR	DESCRIPTION	MANUFACTURER	MANUFACTURER PART
1		PWB-PCB, ISL95816EVAL7Z, REVC, R, ROHS	IMAGINEERING INC	ISL95816EVAL7ZREVCPCB
4	C24, C, C25, C24A, C25A	CAP, RADIAL, 10x13, 56µF, 25V, 20%, ROHS	SANYO	25SEP56M
6	C1A, C3A-C5A, C7A, C8A	CAP-OSCON, RADIAL, 6.3x9, 560µF, 6.3V, 20%, 7mΩ, ROHS	PANASONIC/SANYO	6SEPC560MW
22	C22, C39, C44, C49, C53-C56, C59-C72	CAP, SMD, 0805, 22µF, 6.3V, 20%, X5R, ROHS	TDK	C2012X5R0J226M
24	a) C74, C77, C78, C126, C128, C133, C135, C136,	CAP, SMD, 0402, 0.1µF, 16V, 10%, X7R, ROHS	VENKEL	C0402X7R160-104KNE
0	b) C137, C138, C140, C141, C142, C143, C144,	CAP, SMD, 0402, 0.1µF, 16V, 10%, X7R, ROHS	VENKEL	C0402X7R160-104KNE
0	c) C145, C146, C147, C148, C149, C150, C151,	CAP, SMD, 0402, 0.1µF, 16V, 10%, X7R, ROHS	VENKEL	C0402X7R160-104KNE
0	d) C154, C155	CAP, SMD, 0402, 0.1µF, 16V, 10%, X7R, ROHS	VENKEL	C0402X7R160-104KNE
3	C200, C201, C202	CAP, SMD, 0603, 1000pF, 16V, 10%, X7R, ROHS	VENKEL	C0603X7R160102KNE
4	C1, C13, C20, C101	CAP, SMD, 0603, 0.01µF, 16V, 10%, X7R, ROHS	VENKEL	C0603X7R160-103KNE
3	C73, C82, C87	CAP, SMD, 0603, 0.1µF, 16V, 10%, X7R, ROHS	MURATA	GRM39X7R104K016AD
8	C2, C16, C23, C134, CC1-CC4	CAP, SMD, 0603, 1µF, 16V, 10%, X5R, ROHS	MURATA	GRM188R61C105KA12D
1	C3	CAP, SMD, 0603, 1200pF, 50V, 10%, X7R, ROHS	PANASONIC	ECJ-1VB1H122K
1	C21	CAP, SMD, 0603, 1800pF, 50V, 10%, X7R, ROHS	MURATA	GRM39X7R182K050AQ
1	C38	CAP, SMD, 0603, 0.022µF, 16V, 10%, X7R, ROHS	VENKEL	C0603X7R160-223K
4	C4, C7, C9, 10	CAP, SMD, 0603, 0.022µF, 25V, 10%, X7R, ROHS	MURATA	GRM188R71E223KA01J
7	C17, C18, C19, CB1-CB4	CAP, SMD, 0603, 0.22µF, 25V, 10%, X7R, ROHS	TDK	C1608X7R1E224K
1	C6	CAP, SMD, 0603, 33pF, 50V, 5%, C0G, ROHS	PANASONIC	ECJ-1VC1H330J
1	C8	CAP, SMD, 0603, 330pF, 50V, 10%, X7R, ROHS	YAGEO	CC0603KRX7R9BB331
1	C5	CAP, SMD, 0603, 47pF, 50V, 5%, C0G, NPO, ROHS	AVX	06035A470JAT2A
2	C57, C58	CAP, SMD, 0603, 056µF, 16V, 10%, X7R, ROHS	MURATA	GRM39X7R563K016AD
1	C11	CAP, SMD, 0603, 820pF, 50V, 10%, X7R, ROHS	KEMET	C0603C821K5RACTU
0	C12, C14, C26, C30, C36, C52, C81	CAP, SMD, 0603, DNP-PLACE HOLDER, ROHS		
7	C79, C102, C103, C105, C107-C109	CAP, SMD, 0805, 1µF, 16V, 10%, X7R, ROHS	KEMET	C0805C105K4RACTU

Application Note 1898

Bill of Materials (Continued)

QTY	REFERENCE DESIGNATOR	DESCRIPTION	MANUFACTURER	MANUFACTURER PART
0	a) C15, C31, C32, C37, C40-C43, C45-C48, C50,	CAP, SMD, 0805, DNP-PLACE HOLDER, ROHS		
0	b) C75, C76, C83, C85, C86, C88-C99	CAP, SMD, 0805, DNP-PLACE HOLDER, ROHS		
17	C27-C29, C33-C35, C80, C9N, CN1-CN8, C10N	CAP, SMD, 1206, 10µF, 25V, 10%, X7R, ROHS	VENKEL	C1206X7R250-106KNE
4	L1B-L4B	COIL-PWR INDUCTOR, TH, 10.3x6.3, 0.3µH, 20%, 50A, 200kHz, ROHS	LIANZHEN ELECTRONICS CO., LTD.	IHC0710-R30M-WM1W
1	J5	CONN-GEN, BIND.POST, INSUL-RED, THMBNUT-GND	JOHNSON COMPONENTS	111-0702-001
1	J6	CONN-GEN, BIND.POST, INSUL-BLK, THMBNUT-GND	JOHNSON COMPONENTS	111-0703-001
2	J10, J15	CONN-SCOPE PROBE TEST PT, COMPACT, PCB MNT, ROHS	TEKTRONIX	131-4353-00
1	J9	CONN-SCOPE PROBE TEST PT, COMPACT, PCB MNT, ROHS	TEKTRONIX	131-5031-00
5	TP2, TP3, TP29, TP30, TP55	CONN-TURRET, TERMINAL POST, TH, ROHS	KEYSTONE	1514-2
1	J7	CONN-HEADER, DUAL, 4P, SHROUDED, NYLON, W/PEGS, ROHS	MOLEX	39-29-9042
1	J8	CONN-HEADER, 2x12, 4 SIDED, 4.2mm, VERTICAL, ROHS	MOLEX	39-29-9242
51	a) TP1, TP4-TP28, TP31-TP33, TP35-TP48, TP50,	CONN-MINI TEST POINT, VERTICAL, WHITE, ROHS	KEYSTONE	5002
0	b) TP52-TP54, TPW1-TPW4.	CONN-MINI TEST POINT, VERTICAL, WHITE, ROHS	KEYSTONE	5002
1	J_USB	CONN-USB MINI-B RECEPTACLE, TH, 5CIRCUIT, R/A, ROHS	MOLEX	54819-0519
1	J22	CONN-HEADER, 2x2, BRKAWY 2X36, 2.54mm, VERTICAL, ROHS	BERG/FCI	67996-272HLF
4	J1-J4	CONN-HEADER, 2x3, BRKAWY 2x36, 2.54mm, VERTICAL, ROHS	BERG/FCI	67996-272HLF
1	HDR2	CONN-HEADER, 2X5, BRKAWY-2x36, 2.54mm, ROHS	BERG/FCI	67996-272HLF
8	JP16, J17, J18, J19, J20, J21, J23, J30	CONN-HEADER, 1x2, RETENTIVE, 2.54mm, 0.230x 0.120, ROHS	BERG/FCI	69190-202HLF
1	JTAG1	CONN-HEADER, SHROUDED, SMD, 14P, 2mmPITCH, CENTER SLOT, ROHS	MOLEX	87832-1420
1	U2 (SOCKET)	CONN-CPU SOCKET H3, SMD, 1150P, LGA, ROHS	FOXCONN	PE115027-4041-01F
1	U2 (ILM)	CONN-CPU ILM, 115XP, LGA, ROHS	FOXCONN	PT44L61-6401
1	U2 (BACKPLATE)	CONN-CPU BACK PLATE W/SCREWS, 115XP, LGA, ROHS	FOXCONN	PT44P18-6401
10	a) J1-J4-Two Center Pins, JP16, J17, J18	CONN-JUMPER, SHORTING, 2PIN, BLACK, GOLD, ROHS	SULLINS	SPC02SYAN
0	b) J19, J20, J21	CONN-JUMPER, SHORTING, 2PIN, BLACK, GOLD, ROHS	SULLINS	SPC02SYAN

Application Note 1898

Bill of Materials (Continued)

QTY	REFERENCE DESIGNATOR	DESCRIPTION	MANUFACTURER	MANUFACTURER PART
1	S4	DIODE-SWITCHING, SMD, SOT23, 70V, 0.2A, ROHS	ON SEMICONDUCTOR	BAV99LT1G
1	D1	LED, SMD, 3x2.5mm, 4P, RED/GREEN, 12/20MCD, 2V	LUMEX	SSL-LXA3025IGC-TR
1	U11	IC-FLASH, 32k, MICROCONTROLLER, 48P, TQFP, 25MIPS, ROHS	SILICON LABORATORIES	C8051F348-GQ
1	U5	IC-HI FREQ BRIDGE DRIVER, 8P, SOIC, 100V, ROHS	INTERSIL	HIP2100IBZ
4	UD1-UD4	IC-DUAL MOSFET DRIVER, 8P, DFN, 2x2, ROHS	INTERSIL	ISL6625ACRZ
3	U6, U8, U9	IC-ADJ.V, 1A LDO REGULATOR, 10P, DFN, 3x3, ROHS	INTERSIL	ISL80101IRAJZ
1	U1	IC-4-PHASE PWM CONTROLLER, 32P, QFN, 4x4, ROHS	INTERSIL	ISL95816HRZ
1	U13	IC-STD.FPGA SPARTAN-3, SMD, 100P, VTQFP, ROHS	XILINX	XC3S50-4VQG100C
1	U12	IC-PLATFORM FLASH PROM, 1Mb, 20P, TSSOP, ROHS	XILINX	XCF01SV0G20C
1	R42	THERMISTOR, SMD, 0603, 10k, 1/10W, 5%, B-value = 4201-4300K	PANASONIC	ERT-J1VR103J-T
1	R46	THERMISTOR-NTC, SMD, 0603, 470k, 1/10W, 5%, B-value = 4500, ROHS	MURATA	NCP18WM474J03RB-T
2	Q1, Q14	TRANSISTOR, N-CHANNEL, 3LD, SOT-23, 60V, 115mA, ROHS	DIODES, INC.	2N7002-7-F
4	QL12, QL22, QL32, QL42	TRANSIST-MOS, N-CHANNEL, 30V, 100A, SMD, 8P, PG-TDSON-8, ROHS	INFINEON TECHNOLOGY	BSC011N03LS
4	QH12, QH22, QH32, QH42	TRANSIST-MOS, N-CHANNEL, 30V, 57A, SMD, 8P, PG-TDSON-8, ROHS	INFINEON TECHNOLOGY	BSC052N03LS
1	Q15	TRANSISTOR-MOS, N-CHANNEL, SMD, TO-252, 30V, 90A, ROHS	VISHAY	SUD50N03-06AP-E3
1	U10	OSC-CLOCK, CRYSTAL, SMD, 5x7, 3.3V, 100MHz, 25ppm, ROHS	CONNOR-WINFIELD	CWX813-100.0M
2	R19, R21	RES, SMD, 0603, 10k, 1/10W, 0.1%, MF, ROHS	PANASONIC	ERA-3YEB103V
1	R155	RES, SMD, 0603, 2k, 1/10W, 0.1%, 25ppm, ROHS	PANASONIC	ERA-3AEB202V
1	R207	RES, SMD, 0603, 4.7k, 1/10W, 0.1%, 25ppm, ROHS	PANASONIC	ERA-3AEB472V
1	R37	RES, SMD, 0603, 1Ω, 1/10W, 1%, TF, ROHS	PANASONIC	ERJ-3RQF1R0V
7	R17, R18, R35, R88, R90, R92, R94	RES, SMD, 0603, 10Ω, 1/10W, 1%, TF, ROHS	KOA	RK73H1JT10R0F
2	R104, R105	RES, SMD, 0603, 11Ω, 1/10W, 1%, TF, ROHS	VENKEL	CR0603-10W-11R0FT
2	R5, R14	RES, SMD, 0603, 56Ω, 1/10W, 1%, TF, ROHS	PANASONIC	ERJ-3EKF56R0V
19	a) R4, R22, R29, R40, R138, R145, R148, R149	RES, SMD, 0603, 0Ω, 1/10W, TF, ROHS	VENKEL	CR0603-10W-000T

Application Note 1898

Bill of Materials (Continued)

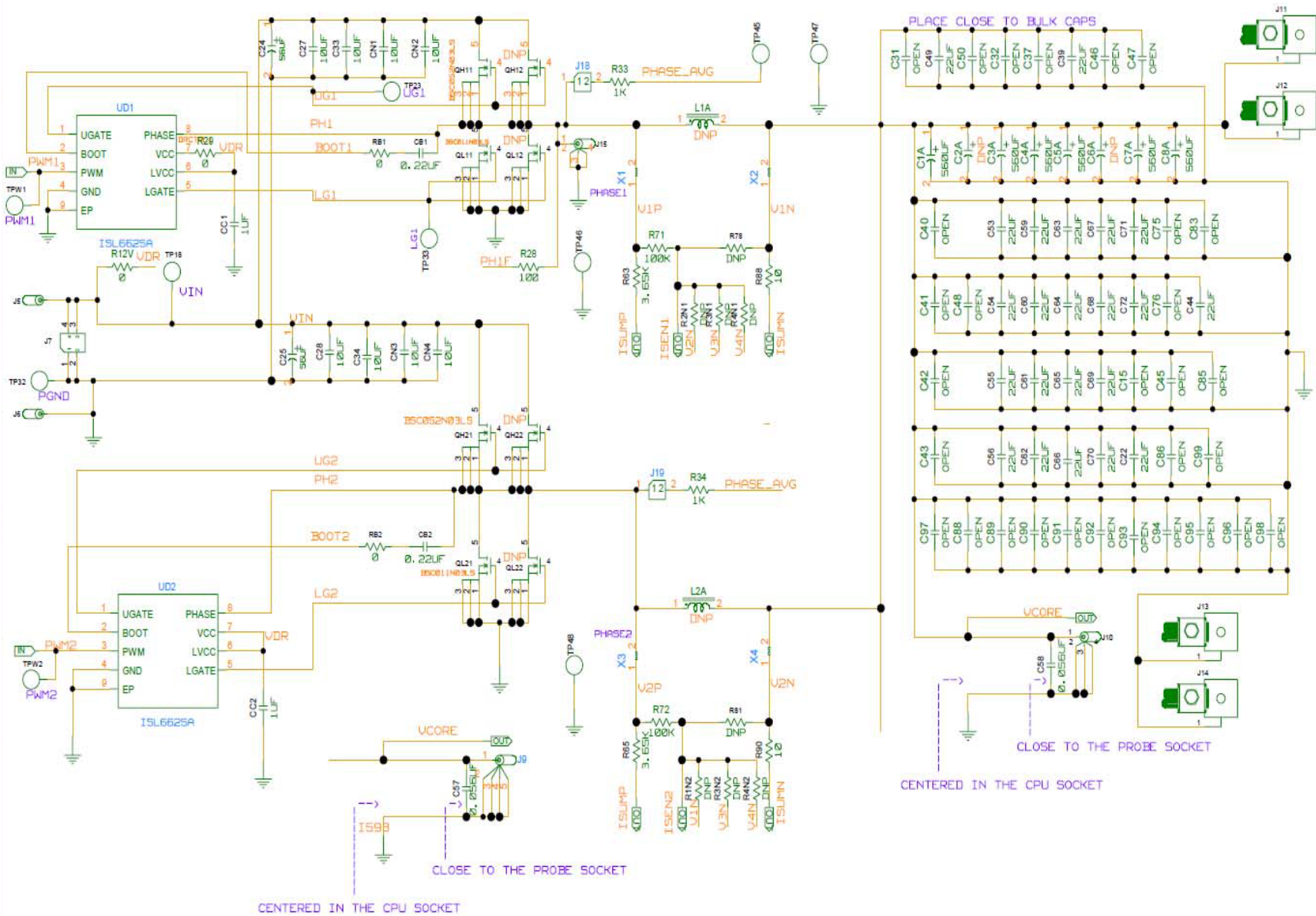
QTY	REFERENCE DESIGNATOR	DESCRIPTION	MANUFACTURER	MANUFACTURER PART
0	b) R162, R164, R165, R167, R168, R170, R12V	RES, SMD, 0603, 0Ω, 1/10W, TF, ROHS	VENKEL	CR0603-10W-000T
0	c) RB1-RB4	RES, SMD, 0603, 0Ω, 1/10W, TF, ROHS	VENKEL	CR0603-10W-000T
4	R8, R28, R143, R144	RES, SMD, 0603, 100Ω, 1/10W, 1%, TF, ROHS	VENKEL	CR0603-10W-1000FT
9	a) R33, R34, R36, R39, R121, R135, R136	RES, SMD, 0603, 1k, 1/10W, 1%, TF, ROHS	PANASONIC	ERJ-3EKF1001V
0	b) R203, R206	RES, SMD, 0603, 1k, 1/10W, 1%, TF, ROHS	PANASONIC	ERJ-3EKF1001V
8	a) R114, R115, R140, R141, R185, R200	RES, SMD, 0603, 10k, 1/10W, 1%, TF, ROHS	KOA	RK73H1JT1002F
0	b) R201, R204	RES, SMD, 0603, 10k, 1/10W, 1%, TF, ROHS	KOA	RK73H1JT1002F
6	R3, R7, R71, R72, R73, R74	RES, SMD, 0603, 100k, 1/10W, 1%, TF, ROHS	VENKEL	CR0603-10W-1003FT
1	R120	RES, SMD, 0603, 1.10k, 1/10W, 1%, TF, ROHS	PANASONIC	ERJ-3EKF1101V
1	R38	RESISTOR, SMD, 0603, 11k, 1/10W, 1%, TF, ROHS	PANASONIC	ERJ-3EKF1102V
1	R205	RES, SMD, 0603, 1.4k, 1/10W, 1%, TF, ROHS	YAGEO	RC0603FR-071K4L
1	R1	RES, SMD, 0603, 154k, 1/10W, 1%, TF, ROHS	PANASONIC	ERJ-3EKF1543V
1	R2	RES, SMD, 0603, 21k, 1/10W, 1%, TF, ROHS	VENKEL	CR0603-10W-2102FT
1	R137	RES, SMD, 0603, 22.6Ω, 1/10W, 1%, TF, ROHS	VISHAY/DALE	CRCW060322R6FKEA
1	R41	RES, SMD, 0603, 2.61k, 1/10W, 1%, TF, ROHS	VENKEL	CR0603-10W-2611FT
1	R80	RES, SMD, 0603, 27.4k, 1/10W, 1%, TF, ROHS	PANASONIC	ERJ-3EKF2742V
1	R11	RES, SMD, 0603, 2.8k, 1/10W, 1%, TF, ROHS	PANASONIC	ERJ-3EKF2801V
1	R30	RES, SMD, 0603, 287Ω, 1/10W, 1%, TF, ROHS	PANASONIC	ERJ-3EKF2870V
4	R63, R65, R67, R69	RES, SMD, 0603, 3.65k, 1/10W, 1%, TF, ROHS	YAGEO	RC0603FR-073K65L
1	R49	RES, SMD, 0603, 3.83k, 1/10W, 1%, TF, ROHS	VENKEL	CR0603-10W-3831FT
5	R10, R12, R13, R15, R103	RES, SMD, 0603, 499Ω, 1/10W, 1%, TF, ROHS	VENKEL	CR0603-10W-4990FT
1	R102	RES, SMD, 0603, 49.9k, 1/10W, 1%, TF, ROHS	VENKEL	CR0603-10W-4992FT
1	R113	RES, SMD, 0603, 49.9Ω, 1/10W, 1%, TF, ROHS	VENKEL	CR0603-10W-49R9FT
2	R24, R31	RES, SMD, 0603, 5.1M, 1/10W, 1%, TF, ROHS	VISHAY/DALE	CRCW06035M10FKEA

Application Note 1898

Bill of Materials (Continued)

QTY	REFERENCE DESIGNATOR	DESCRIPTION	MANUFACTURER	MANUFACTURER PART
1	R202	RES, SMD, 0603, 5.62k, 1/10W, 1%, TF, ROHS	PANASONIC	ERJ-3EKF5621V
1	R26	RES, SMD, 0603, 6.04k, 1/10W, 1%, TF, ROHS	VENKEL	CR0603-10W-6041FT
1	R16	RES, SMD, 0603, 93.1k, 1/10W, 1%, TF, ROHS	PANASONIC	ERJ-3EKF9312V
0	a) R6, R9, R20, R23, R25, R27, R32, R78, R81, R83	RES, SMD, 0603, DNP-PLACE HOLDER, ROHS		
0	b) R84, R109, R142, R146, R147, R150	RES, SMD, 0603, DNP-PLACE HOLDER, ROHS		
0	c) R172, R175-R178, R1N2-R1N4, R2N1	RES, SMD, 0603, DNP-PLACE HOLDER, ROHS		
0	d) R2N3, R2N4, R3N1, R3N2, R3N4, R5V	RES, SMD, 0603, DNP-PLACE HOLDER, ROHS		
0	e) R4N1-R4N3	RES, SMD, 0603, DNP-PLACE HOLDER, ROHS		
1	R107	RES, SMD, 2512, 0.1Ω, 1W, 1%, TF, ROHS	DALE	WSL-2512-R100F
1	R106	RES, SMD, 2512, 0.22Ω, 1W, 1%, TF, ROHS	DALE	WSL-2512-R220F
2	S2, S3	SWITCH-TOGGLE, SMD, 6PIN, SPDT, 3POS, ON-OFF-ON, ROHS	ITT INDUSTRIES/C&K DIVISION	GT13MSCBE
1	U2 ASSY	SCREW-SHOULDER, F.U.W. LGA1156 SKT, STAINLESS, ROHS	TYCO ELECTRONICS	2013884-1
2	U2 ASSY	SCREW-ILM, F.U.W. LGA1156 ILM SKT, STAINLESS, ROHS	TYCO ELECTRONICS	2040979-1
4	Four corners	SCREW, 4-40X1/4in, PAN, SS, PHILLIPS		
4	Four corners	STANDOFF, 4-40X3/4in, F/F, HEX, STAINLESS STEEL, ROHS	KEYSTONE	1921C
4	J11-J14	HDWARE, MTG, CABLE TERMINAL, 6-14AWG, LUG&SCREW, ROHS	BERG/FCI	KPA8CTP
1	Place assy in bag	BAG, STATIC, 8X12, ZIP LOC, ROHS	INTERSIL COMMON STOCK	D812(212403-014)
0	C2A, C6A (6SEPC560MW)	DO NOT POPULATE		
0	L1A-L4A (THCBR1290-221-R)	DO NOT POPULATE		
0	L1C-L4C (INC0814-R80M-XE1W)	DO NOT POPULATE		
0	Q1D1-Q1D4, Q, Q2D1-Q2D4, Q3D1-Q3D4, Q4D1-Q4D4	DO NOT POPULATE		
0	QH11, QH21, QH31, QH41	DO NOT POPULATE		
0	QL11, QL21, QL31, QL41	DO NOT POPULATE		
0	U14 (FXLP34P5X)	DO NOT POPULATE		

ISL95816EVAL7Z Rev C Schematics (Continued)



ISL95816EVAL7Z Rev C Schematics (Continued)

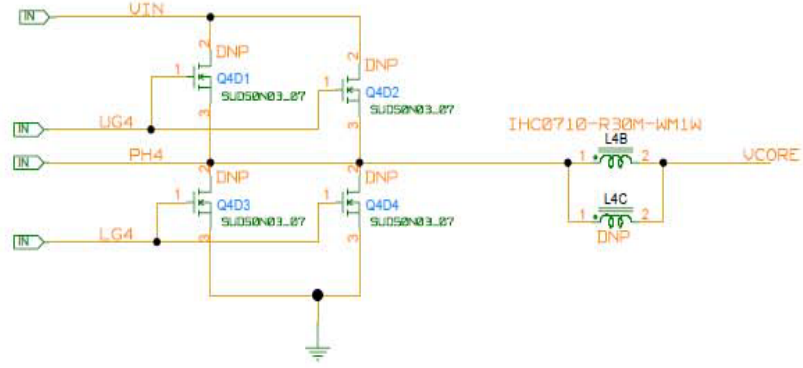
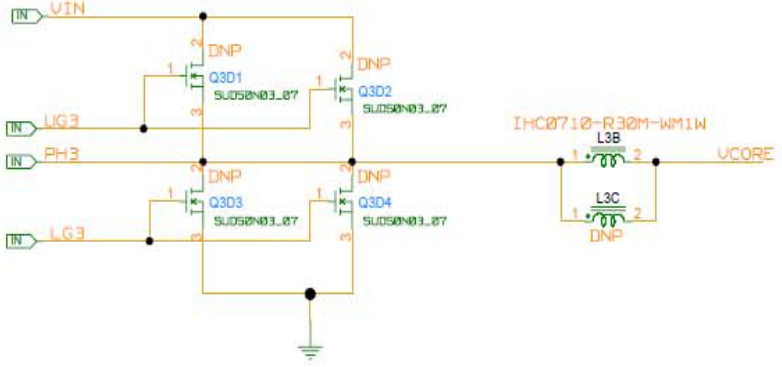
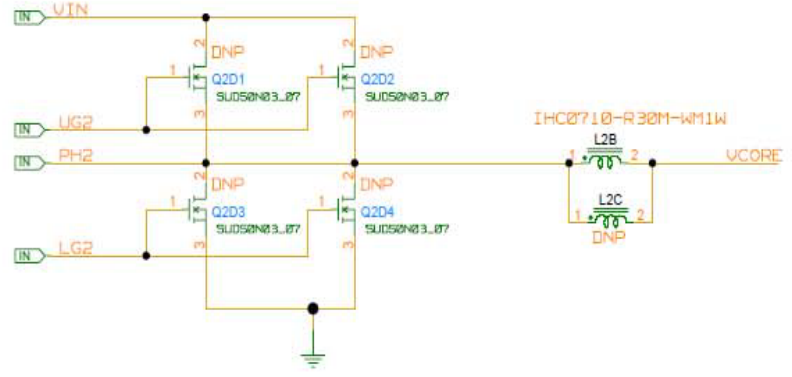
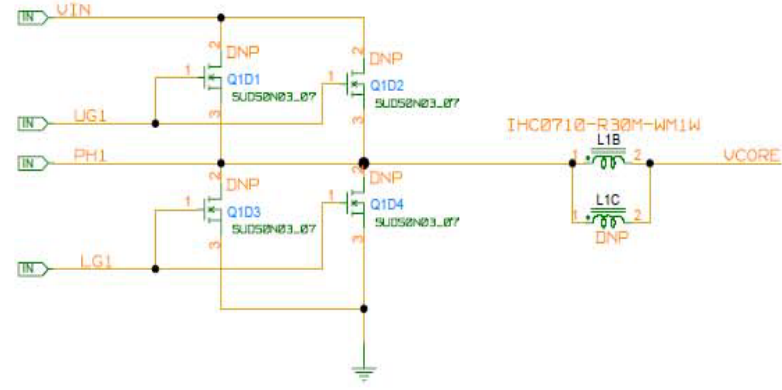


FIGURE 6. IISL95816EVAL7Z Rev C SCHEMATIC, POWER STAGE DUAL LAYOUT, 40F 9

ISL95816EVAL7Z Rev C Schematics (Continued)

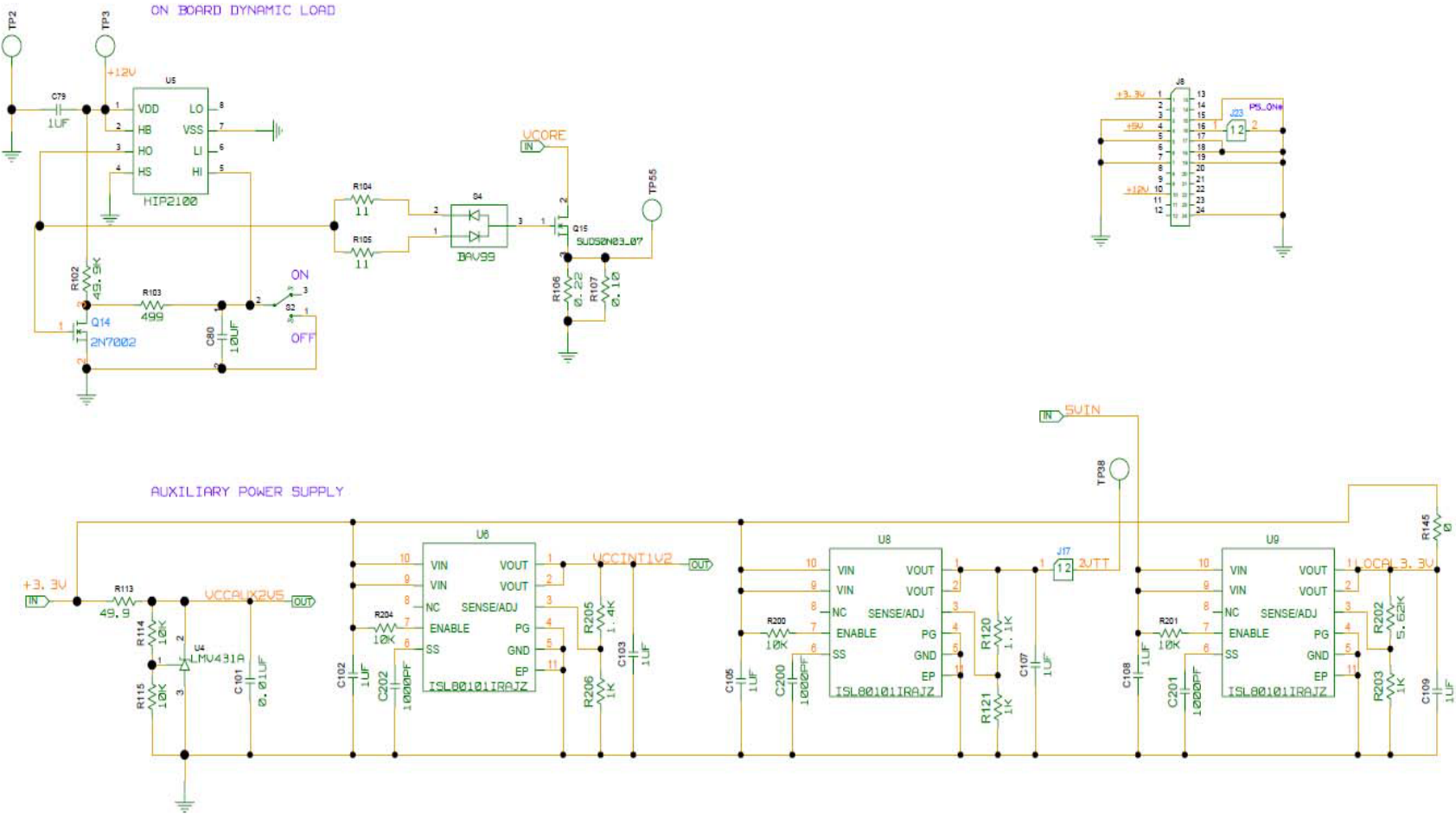


FIGURE 7. IISL95816EVAL7Z Rev C SCHEMATIC, DYNAMIC LOAD EMULATOR AND AUX POWER, 5 OF 9

ISL95816EVAL7Z Rev C Schematics (Continued)

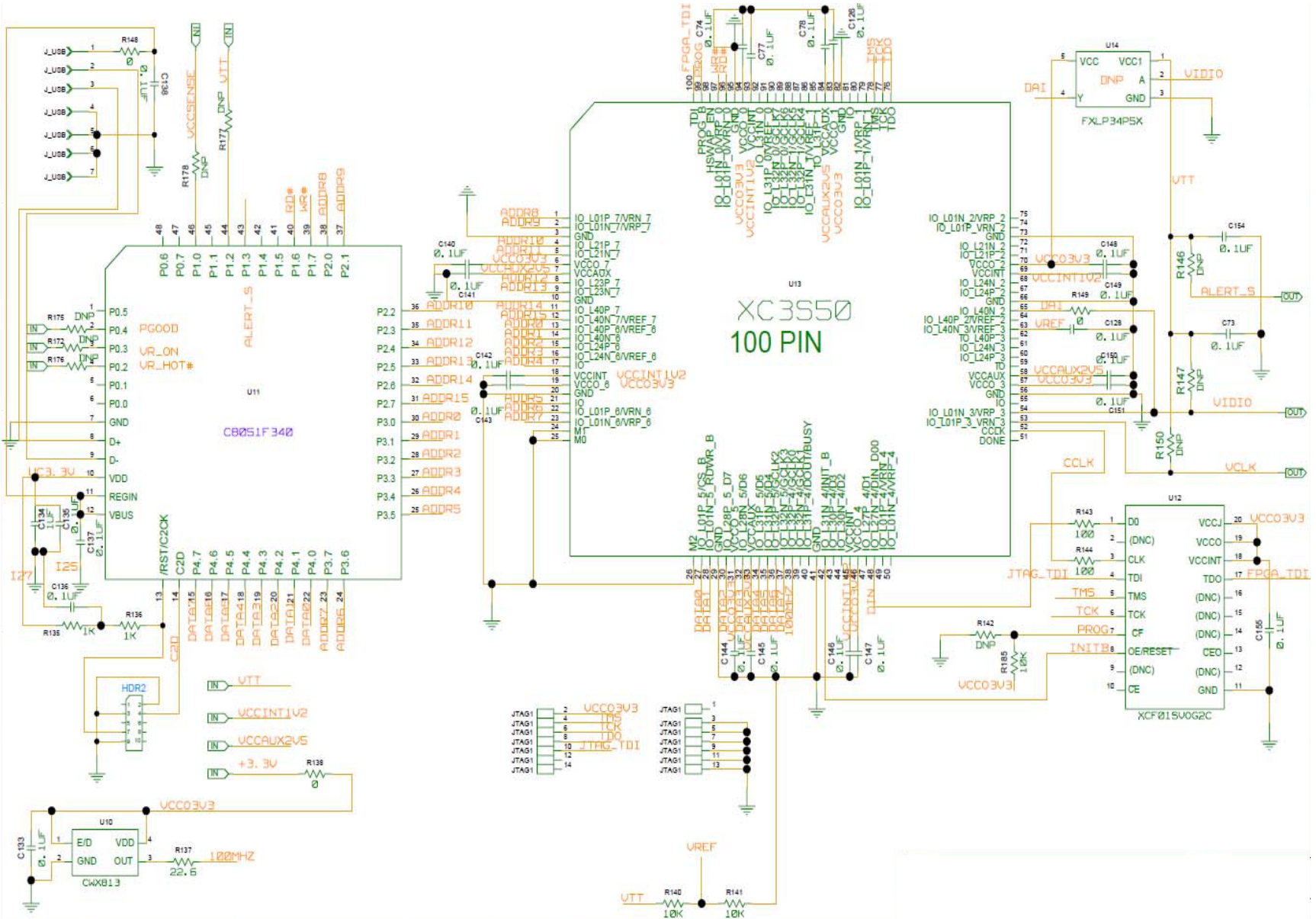
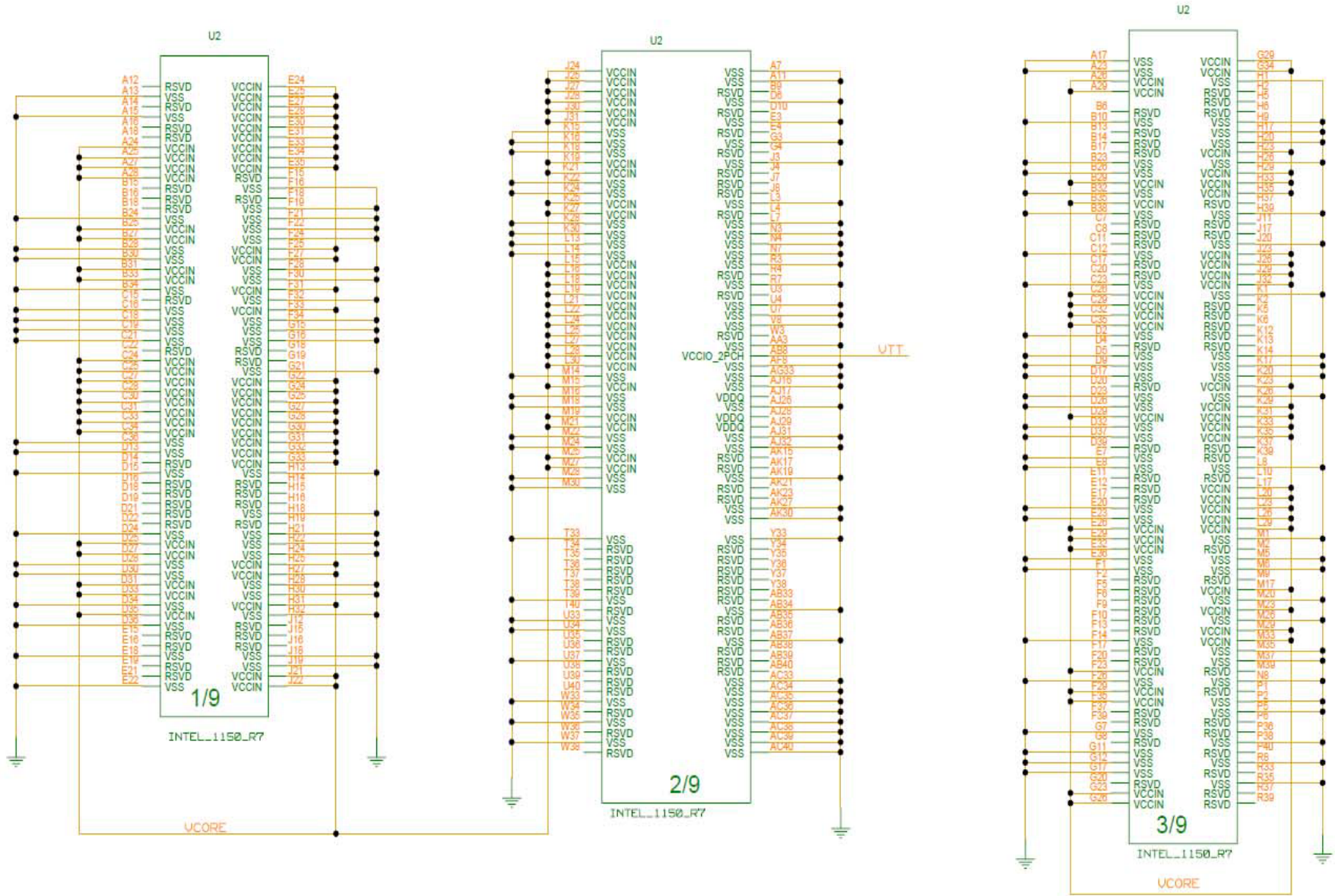


FIGURE 8. ISL95816EVAL7Z Rev C SCHEMATIC, 5VID EMULATOR, 6 OF 9

ISL95816EVAL7Z Rev C Schematics (Continued)



ISL95816EVAL7Z Rev C Schematics (Continued)

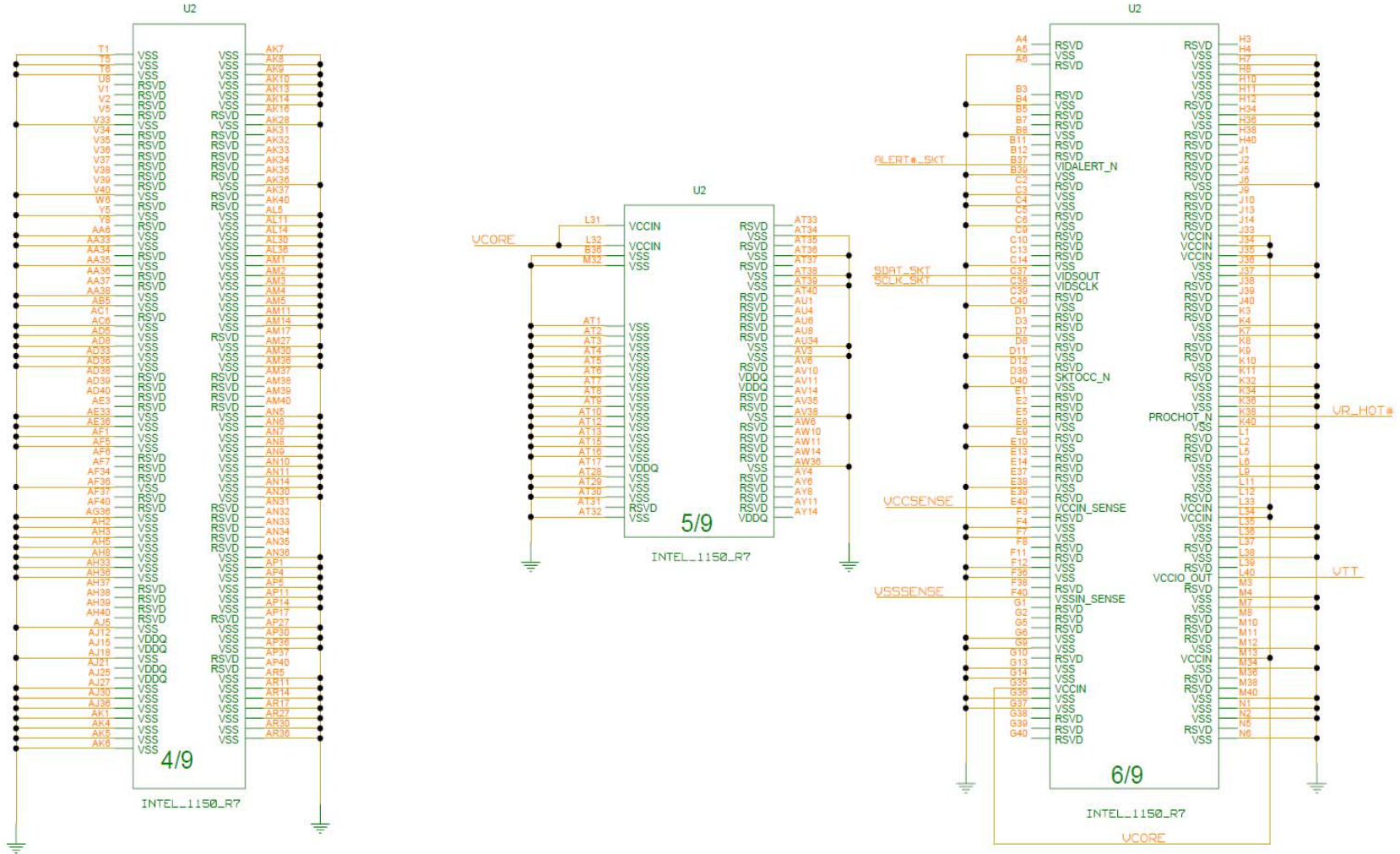


FIGURE 10. ISL95816EVAL7Z Rev C SCHEMATIC, CPU SOCKET PART 2, 8 OF 9

ISL95816EVAL7Z Rev C Schematics (Continued)

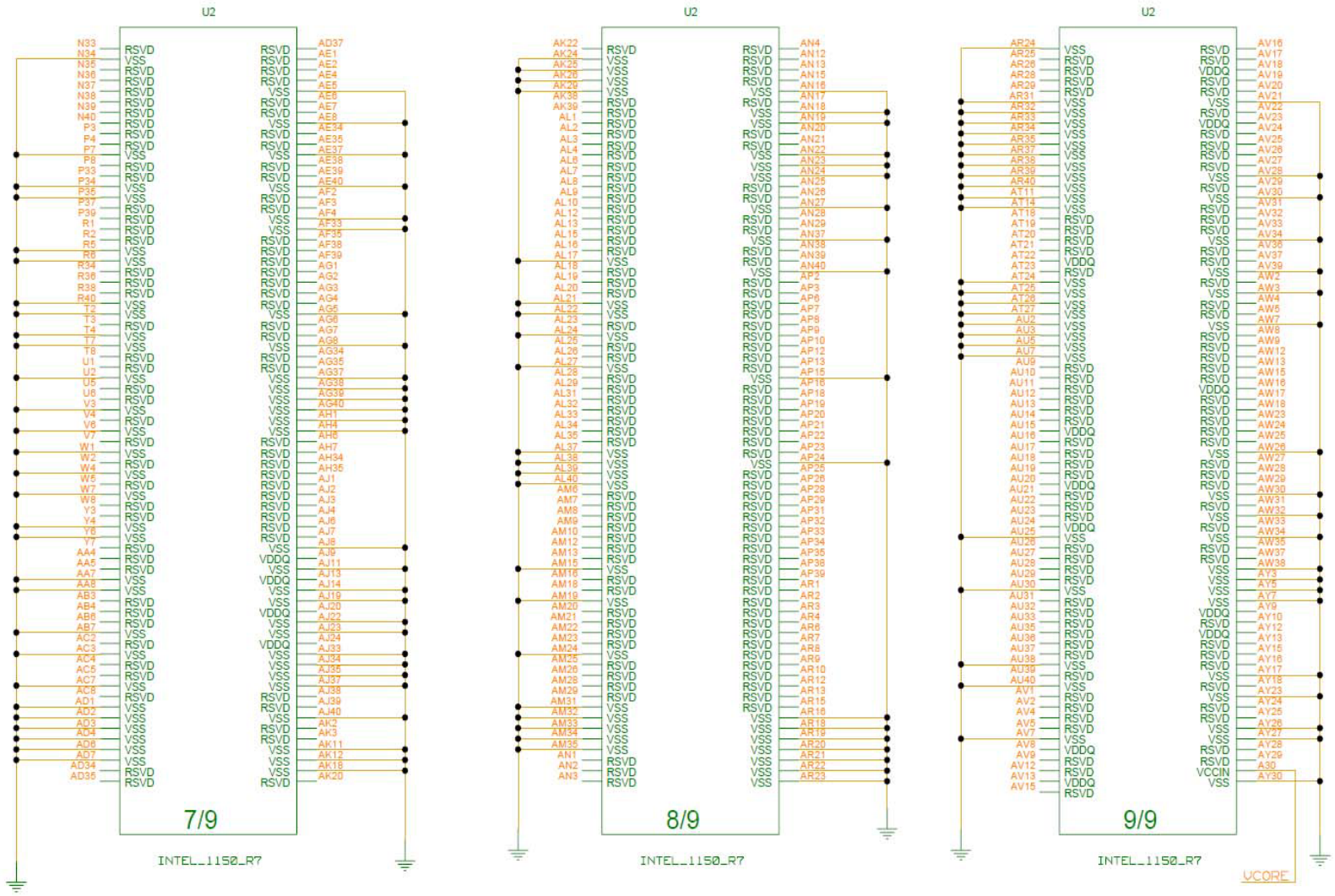


FIGURE 11. ISL95816EVAL7Z Rev C SCHEMATIC, CPU SOCKET PART 3, 9 OF 9

ISL95835EVAL1Z Evaluation Board Layout

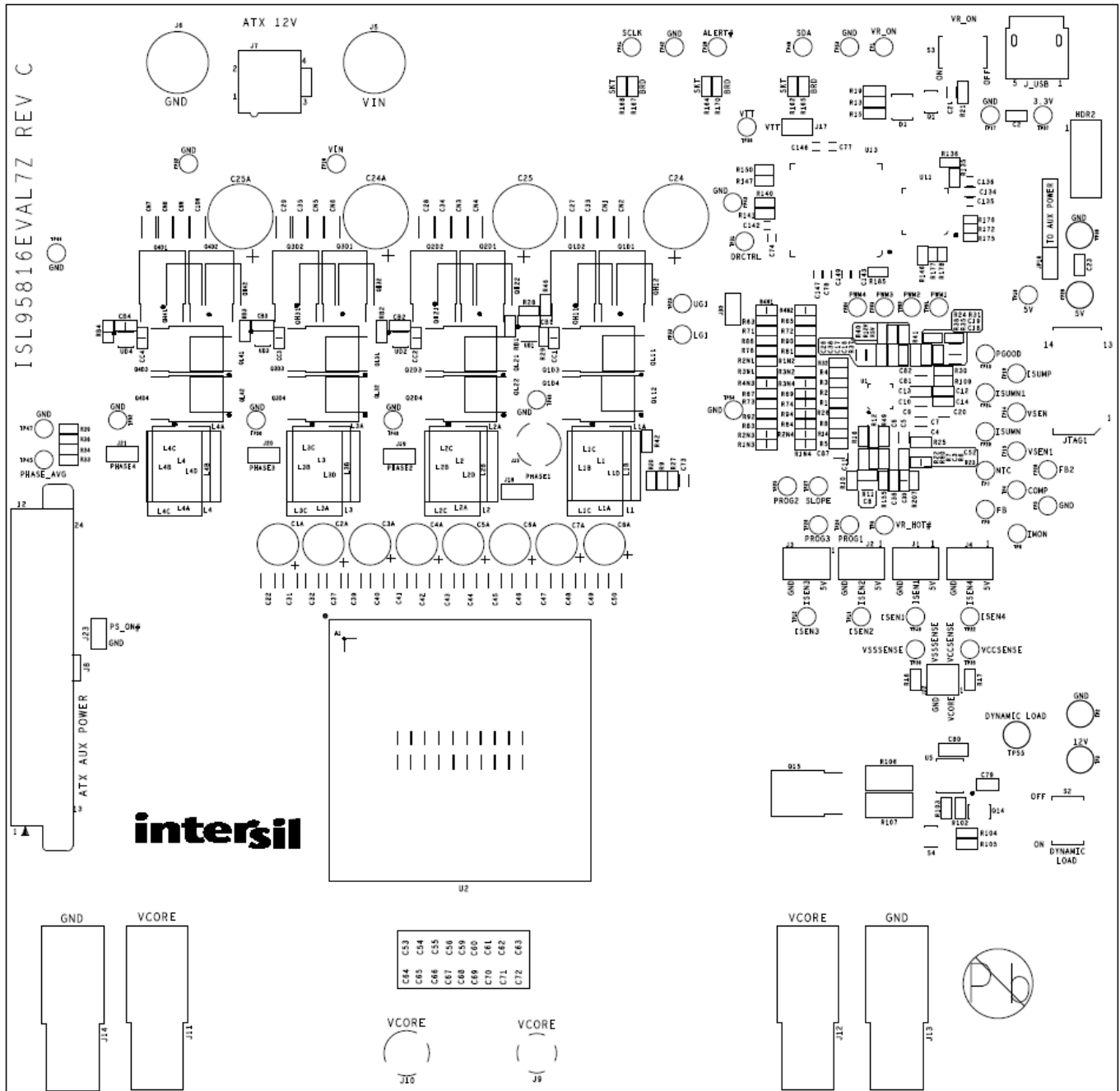


FIGURE 12. TOP SILKSCREEN

ISL95835EVAL1Z Evaluation Board Layout (Continued)

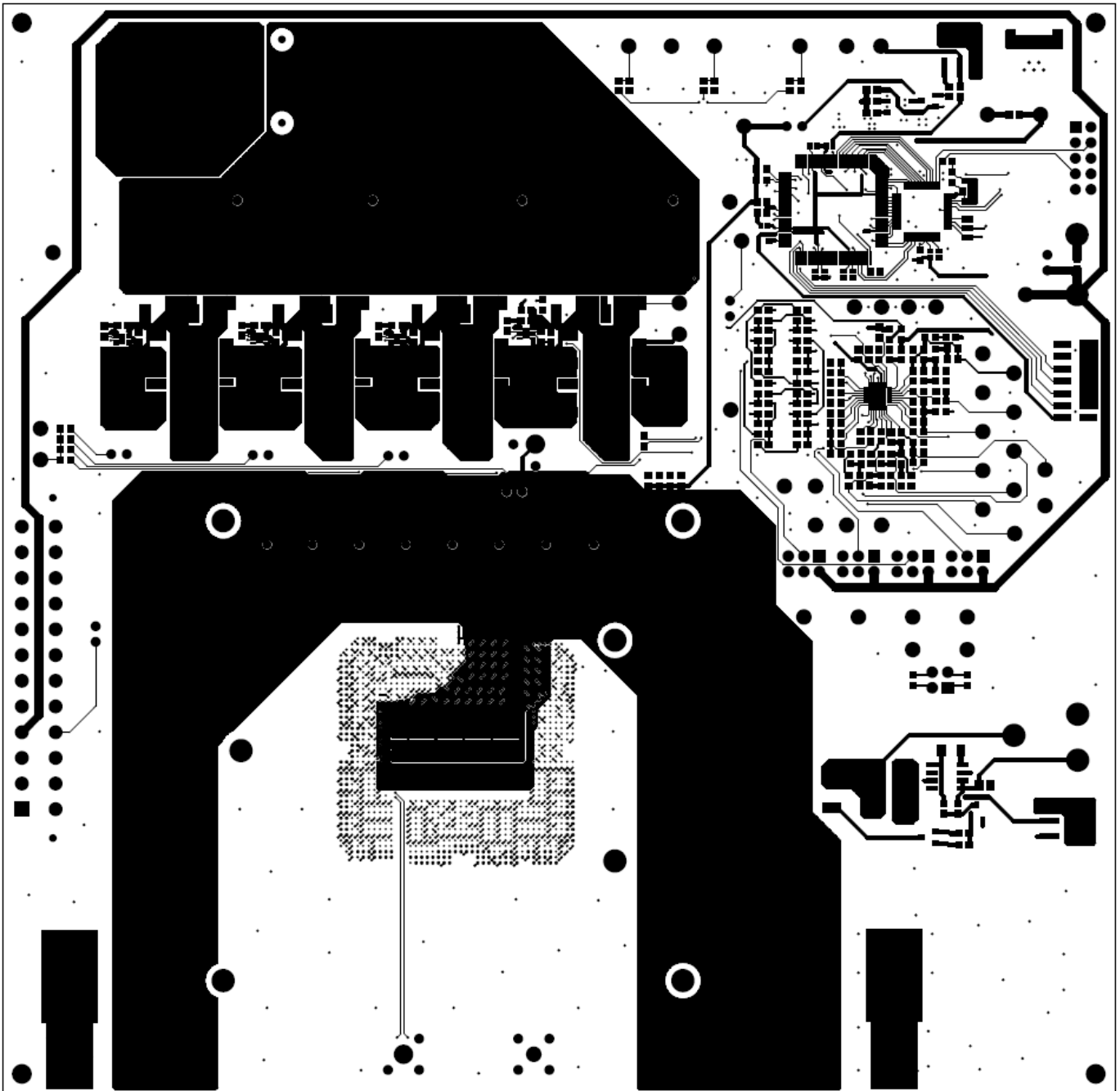


FIGURE 14. LAYER 1

ISL95835EVAL1Z Evaluation Board Layout (continued)

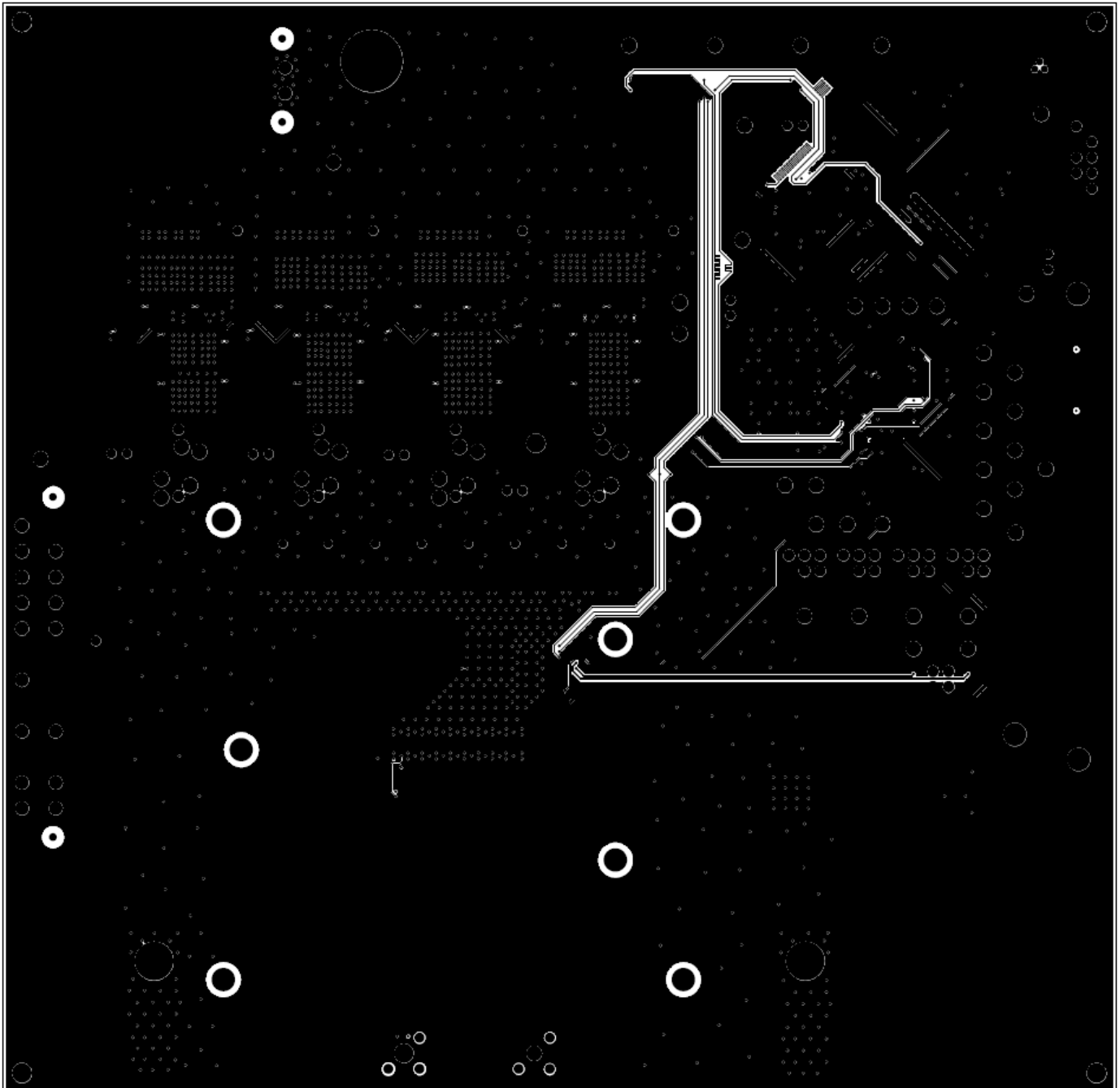


FIGURE 15. LAYER 2

ISL95835EVAL1Z Evaluation Board Layout (continued)

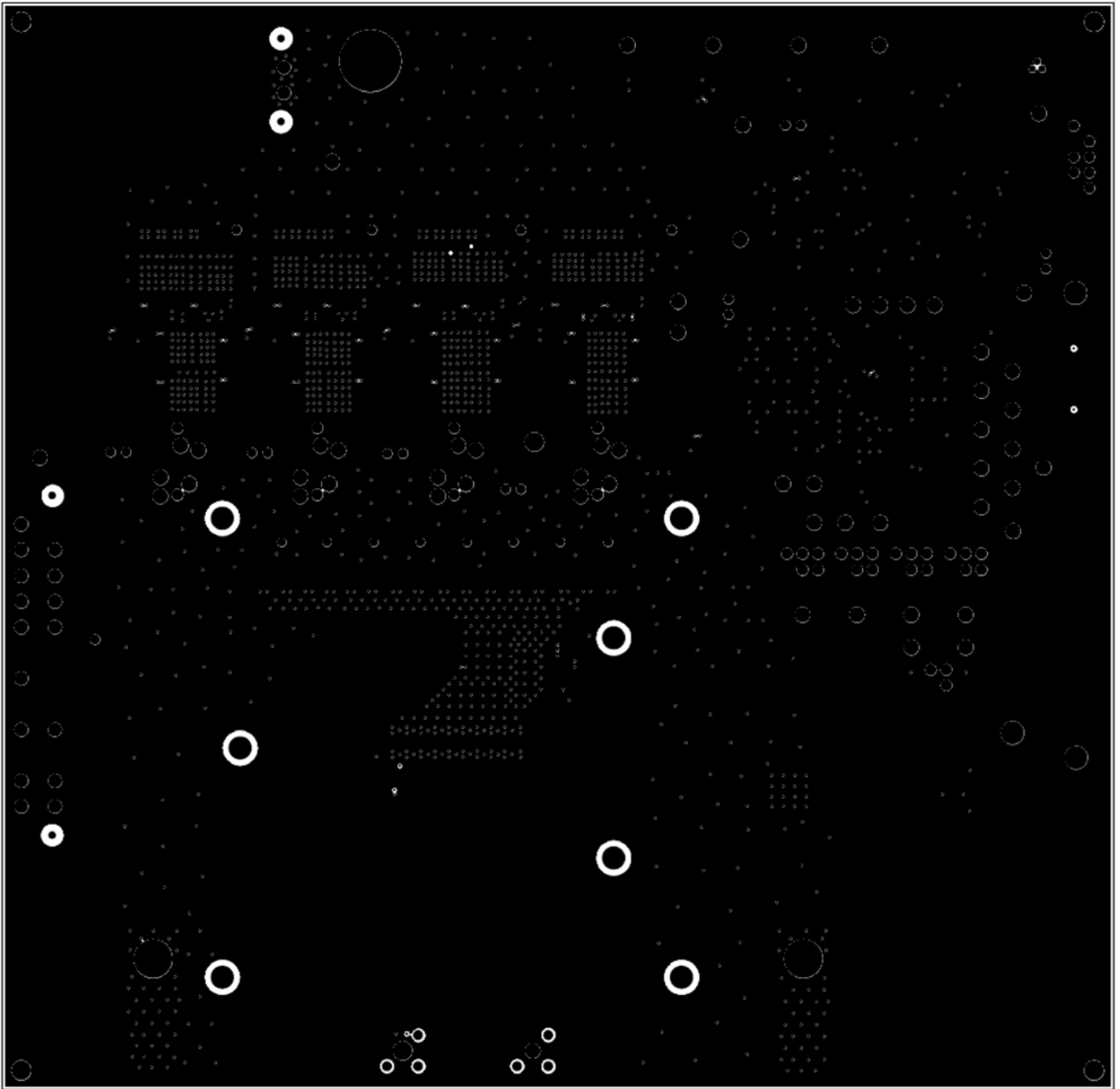


FIGURE 16. LAYER 3

ISL95835EVAL1Z Evaluation Board Layout (Continued)

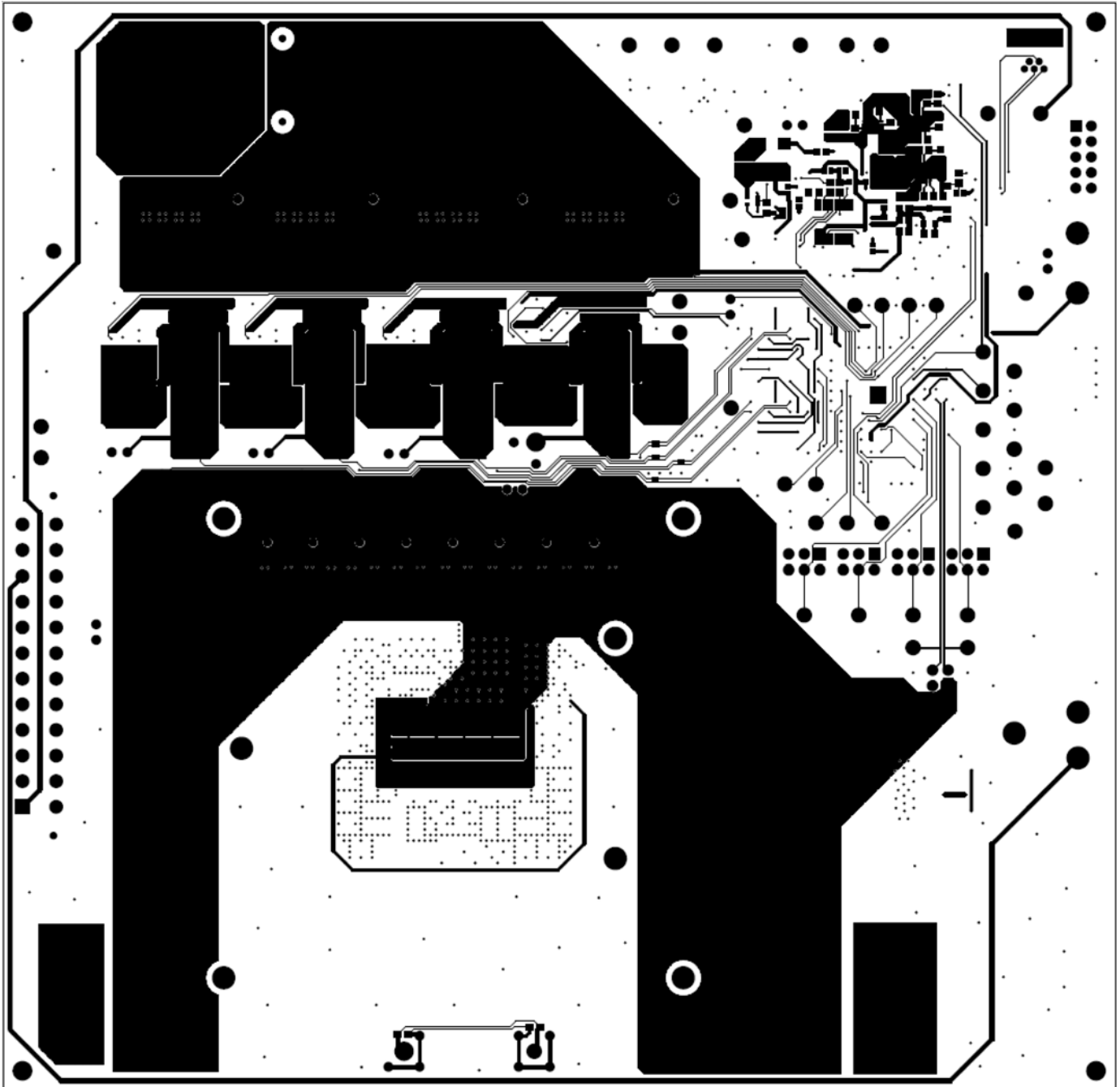


FIGURE 17. LAYER 4

Intersil Corporation reserves the right to make changes in circuit design, software and/or specifications at any time without notice. Accordingly, the reader is cautioned to verify that the Application Note or Technical Brief is current before proceeding.

For information regarding Intersil Corporation and its products, see www.intersil.com